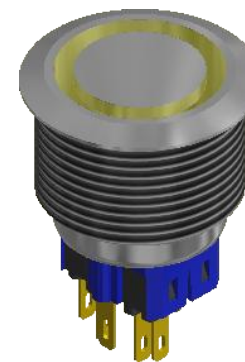
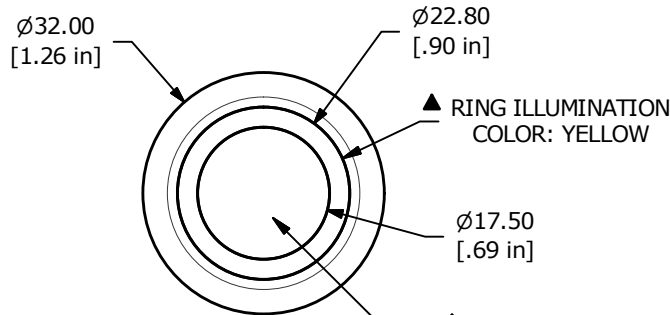
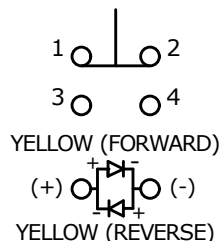


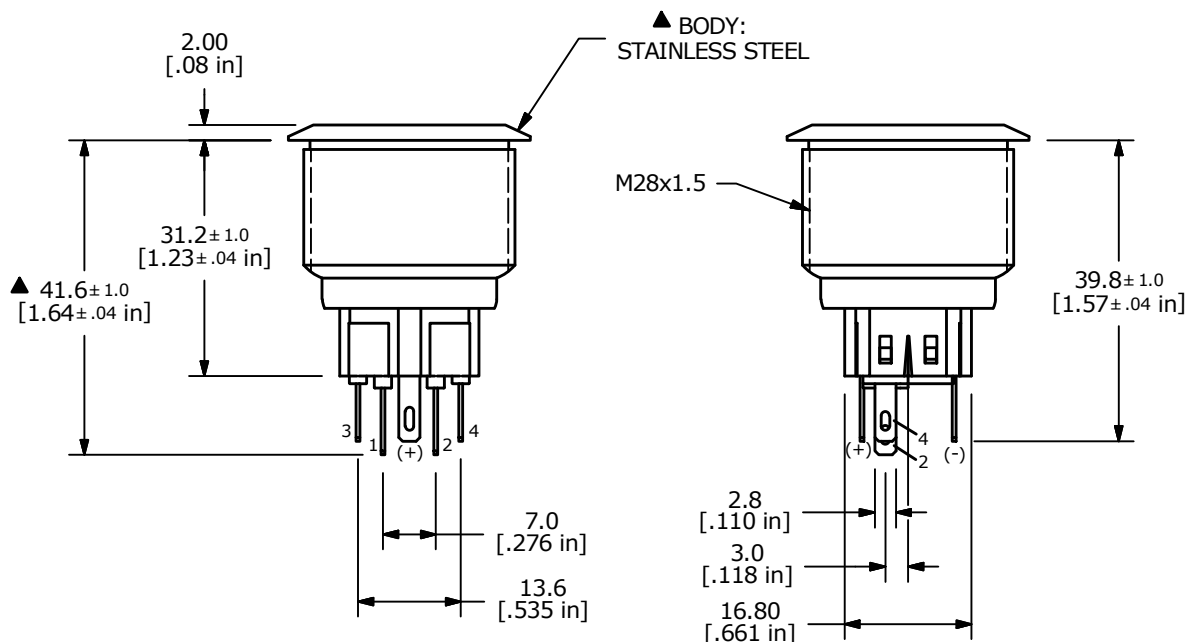
PANEL CUTOUT
MAX. PANEL THICKNESS 10mm



SWITCH FUNCTION	
POS. 1	POS. 2
1-2 ON 3-4 OFF	1-2 OFF 3-4 ON



▲ SPDT ON - OFF / OFF - ON
CONTACT CONFIGURATION



NOTE:

1. ALL DIMENSIONS IN MM [INCH]
2. GENERAL TOLERANCE: X.X = ± 0.4
X.XX = ± 0.25
3. TERMINAL NOS. FOR REF. ONLY
- ▲ 4. RATING: 2A @ 48VDC
5. CONTACT RESISTANCE: 50mΩ MAX. @ 1A 12VDC
6. INSULATION RESISTANCE: 1,000MΩ @ 500VDC
7. DIELECTRIC STRENGTH: 2,000VAC MIN. FOR 1 MINUTE
8. ELECTRICAL LIFE: 50,000 CYCLES
9. OPERATING TEMPERATURE: -20°C to 55°C
10. INGRESS PROTECTION: IP66
11. ▲ DENOTES CRITICAL PARAMETER
- ▲ 12. ILLUMINATION VOLTAGE: 6V
- ▲ 13. SUPPLIED HARDWARE: O-RING AND HEX NUT



B	23837	UPDATED RATING TO IP66	4/8/19	MJR
A	22195	RELEASE FOR PRODUCTION	3/11/16	MW
REV	PCR NO	DESCRIPTION	DATE	BY

TITLE PV9F2T0SS-353				
SCALE 1:1	DATE 3/11/2016	DR MW	DWG 52-PV9F2T0SS353	REV B

THE INFORMATION CONTAINED IN THIS DOCUMENT IS PROPRIETARY TO E-SWITCH AND IS NOT TO BE COPIED OR TRANSFERRED